

THE 4800CC CLOSED CIRCUIT PORTABLE IMPACT CRUSHING PLANT FROM LIPPMANN

is the ideal, completely self-contained, easy to transport crushing plant that offers the features contractors and aggregate producers need. It starts with our 4248LP, a brute of a crusher that houses a heavy-duty rotor and features a larger feed opening to devour concrete full of rebar, ripped asphalt, and other C&D debris. Aggregate producers like the 4248LP's greater reduction ratio and that it produces a high quality, uniform cubical product for a variety of saleable material, including Superpave, while lowering cost per ton. Large 47" wide x 16' long feeder with 4' grizzly, 62" x 10' double deck screen with underscreen hopper, and integral discharge, cross and return conveyors add up to better features, superior quality, and more portability for thousands less in this popular Lippmann plant.


4248 IMPACTOR

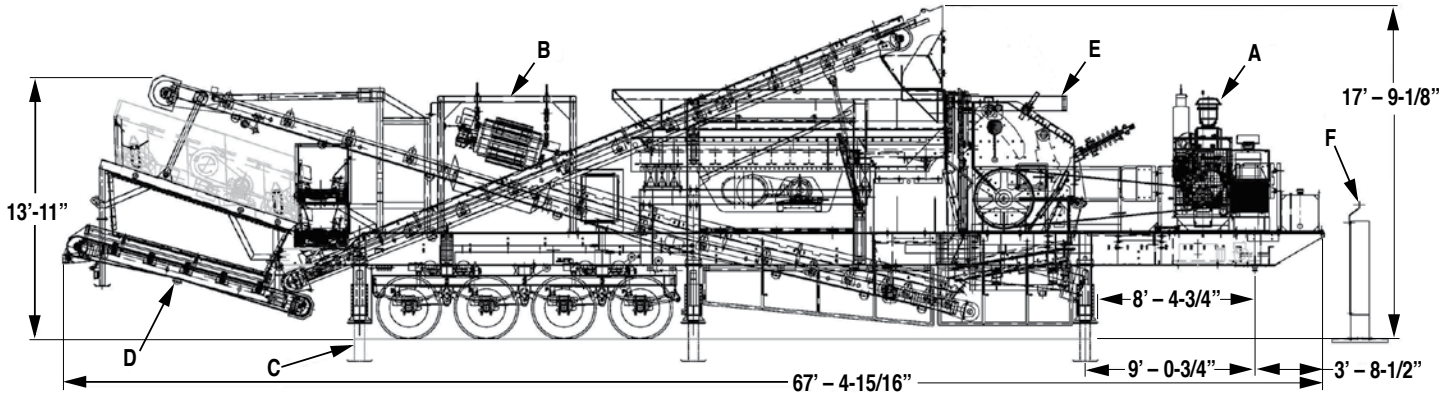
- Andreas type impact crusher design.
- High ratio of reduction.
- Hammers have four crushing positions to maintain a more constant gradation and greater top size control.
- 3 or 4 bar configurations available.


MAGNET

- Effectively removes rebar and steel debris
- Cross-belt type
- Discharges to feed side of portable plant
- Available as permanent magnet or electromagnet


48" X 72" PAN FEEDER

- Mounted directly below impactor
- Eliminates belt tears caused by rebar and scrap steel
- Guides material onto rear discharge conveyor

LIPPMANN 4800CC PLANT DIMENSIONS


PLANT SPECIFICATIONS		PLANT OPTIONS	
Travel Height	13'-11" [4242]	A	Diesel or electric drive
Travel Width	11'-11" [3632]	B	Permanent or electro magnet
Travel Length	63'-8" [19406]	C	Hydraulic leveling jacks
Kingpin Weight*	40,980 lbs 18,588 kg	D	Under-screen conveyor
Axle Weight*	72,000 lbs 32,658 kg	E	JIB crane
Under-screen conveyor weight	2,505 lbs 1,136 kg	F	Motor control Center

*Weights - Diesel plant with permanent magnet, less under-screen conveyor

Lippmann Milwaukee, Inc.
3271 East Van Norman Avenue
Cudahy, WI 53110-0586
(800) 648-0486 • (414) 744-2565
Fax: (414) 744-8172
www.lippmann-milwaukee.com

Sold and serviced by:

The information contained in this literature is meant to be general in nature and is not intended to be used for specific application, construction, or installation purposes. Please note that machine capacities, settings, and other application considerations can vary from the information contained in this literature, depending on the material being crushed, moisture, feed sizes, other materials in the feed, etc. As a result, no warranty of any kind, either expressed or implied, is extended with the information contained in this literature. Lippmann Milwaukee, Inc. expressly reserves the right to change specifications or designs without prior notice or obligation.